

# COSIGN

ARCHITECTURAL SIGNAGE

**SOLED** LED EDGE LIT SIGNS



COSIGN is a world leading designer and manufacturer of sign systems since 1993. We offer flexible sign solutions in more than 75 countries worldwide. By maintaining the highest standards in product quality and customer service we pursue optimal customer satisfaction. Our customers become true partners in a common process of development and sustainable growth.

**COSIGN**

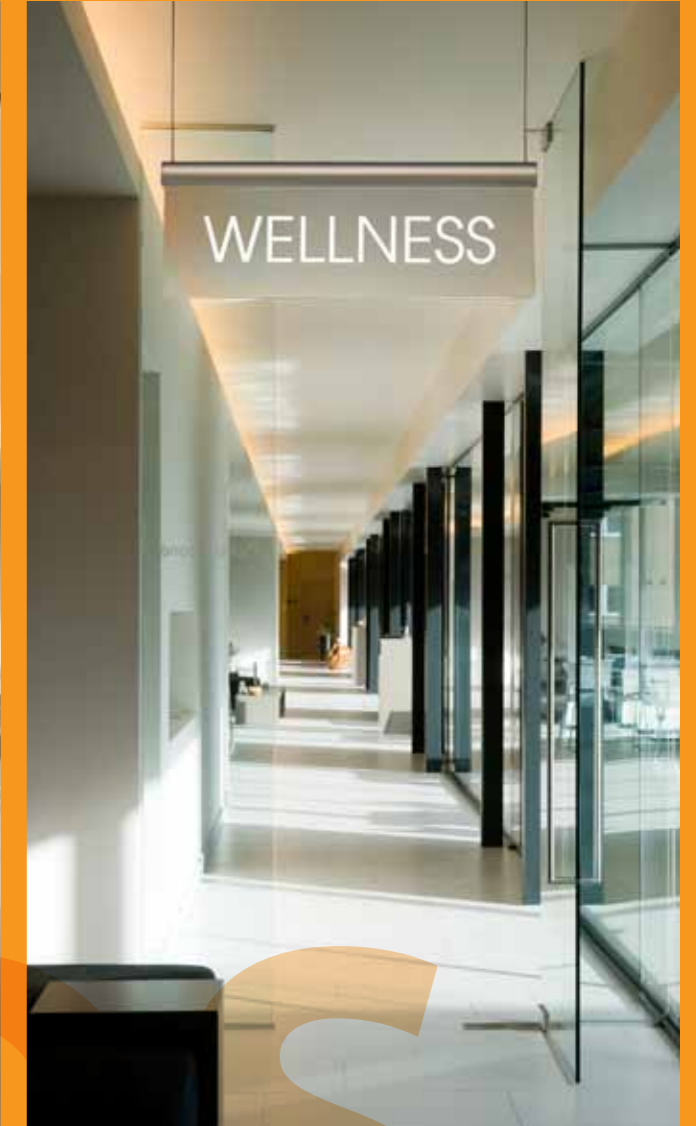
MODULAR SIGN SYSTEMS

COSIGN nv  
Industriepark 32 B  
B-3290 Diest  
Belgium  
T. +32 (0)13 35 10 30  
F. +32 (0)13 35 10 31  
info@cosign.be  
www.cosign.be

COSIGN

MODULAR SIGN SYSTEMS & WAY FINDING SOLUTIONS

**A FASCINATING INTERPLAY BETWEEN LED LIGHTING AND ARCHITECTURAL DESIGN**

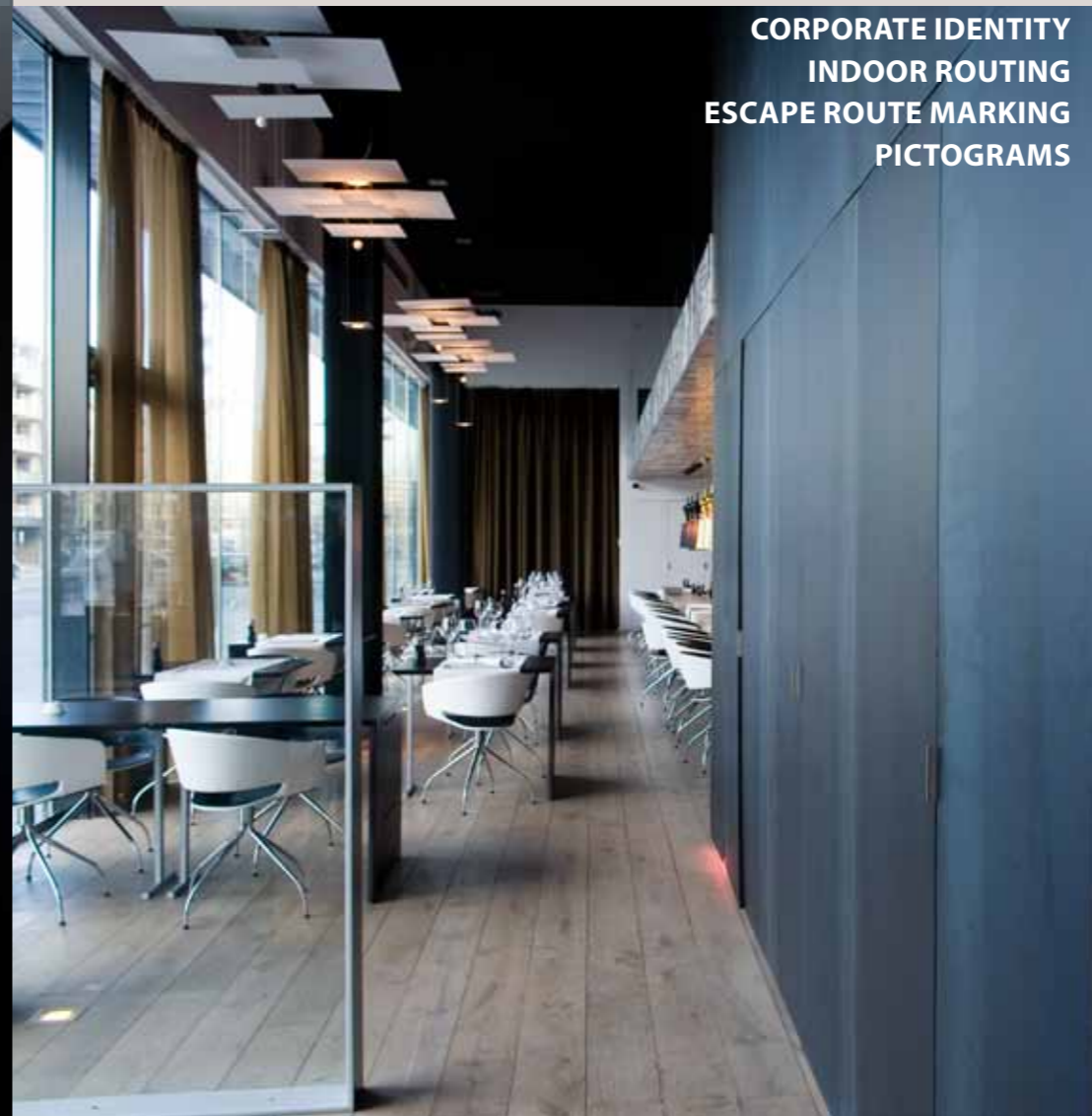


LEDs are superior to conventional light sources in many respects and are extremely versatile. **Their low power consumption, durability and maintenance free operation make them particularly economical.** LEDs are therefore ideal as a simple and efficient light source for new signage concepts which were unthinkable not long ago.

LEDs

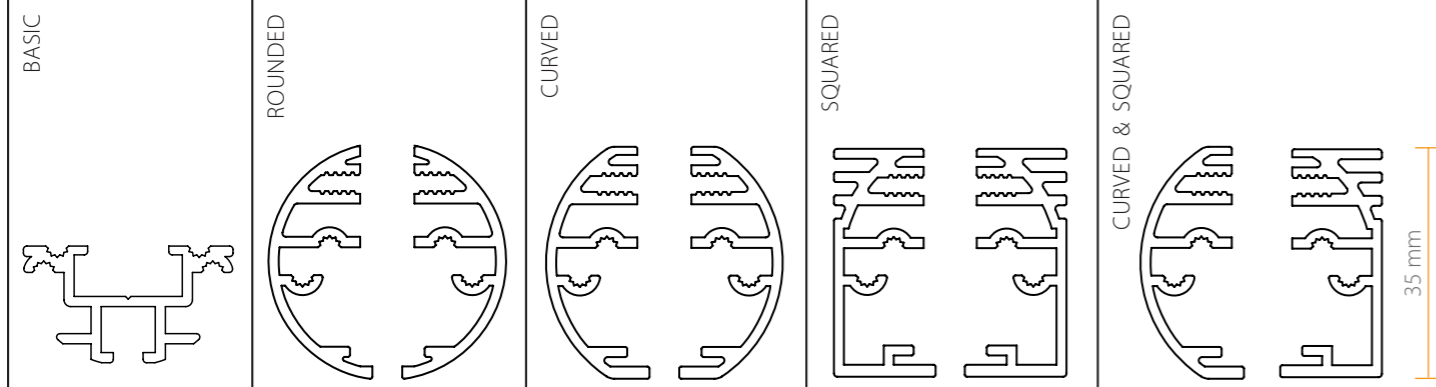
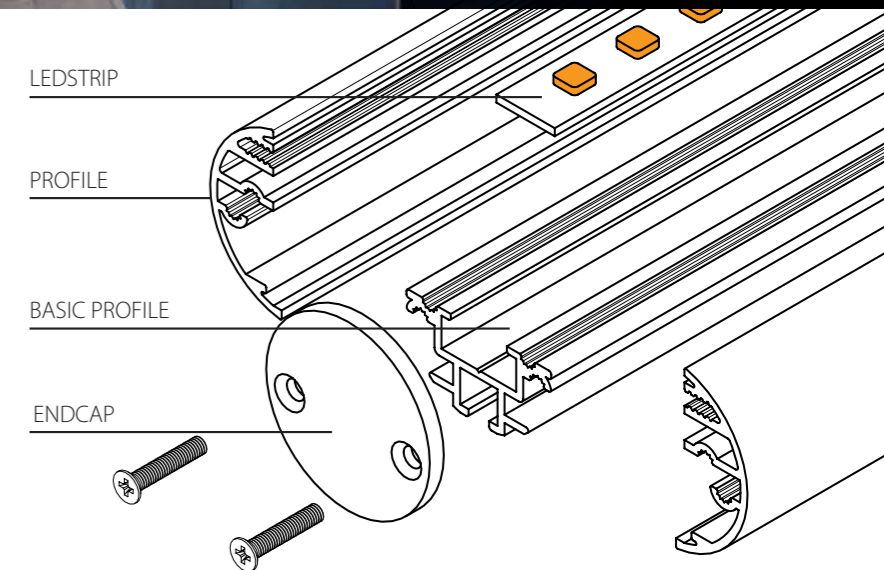


ILLUMINATED SIGNS  
 ARCHITECTURAL LIGHTING  
 ILLUMINATED ADVERTISING  
 CORPORATE IDENTITY  
 INDOOR ROUTING  
 ESCAPE ROUTE MARKING  
 PICTOGRAMS



COSIGN continues to expand its range of LED products which are setting a new standard for functionality and design in the signage industry. LEDs provide numerous creative design options due to a multitude of available colors, compact dimensions and flexible modules.

**SOLELED consists of a set of rounded, curved and squared aluminium profiles** which are easy to combine in one design. Possible setups are **suspended, wall mounted, projected or flag mounted signs, directories and table stands.**





**ARCHITECTURAL DESIGN**

elegant, compact, slim line

**HIGH QUALITY PROFILES**

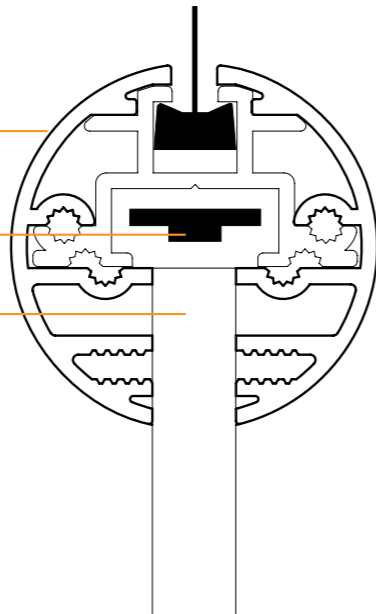
rounded, curved and squared silver anodised or mill finished profiles

**EASY TO INSTALL**

LED strips attached on a base profile with double sided tape

**FLEXIBILITY**

suitable for light guided panels (in glass or acrylic) with a thickness between 8 and 12 mm thanks to the intelligent design with changing screw functions (in function of the thickness of the panel)



SOLED

**COSIGN**  
MODULAR SIGN SYSTEMS